

Toilet

NC2127-Disable

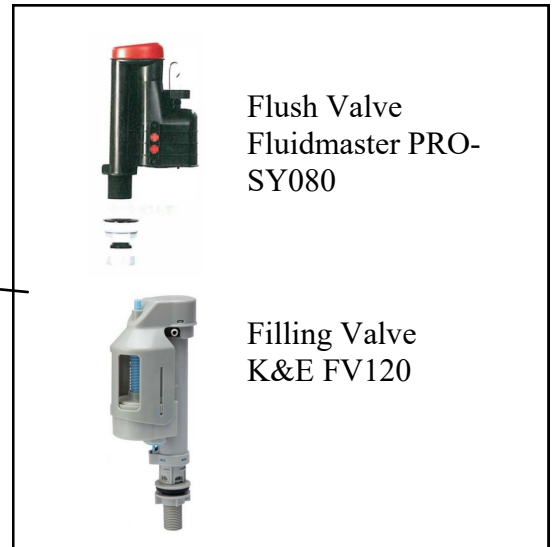


Right Hand Side
Lever Handle
(Order must give us
the lever direction,
Otherwise, it cannot
changing in further)



ECO Circle

Bathroom products are no longer monotonous due to the fact that people are now fascinated by endless new ideas. Minimalist design is nevertheless the most suitable for people today.



Flush Valve
Fluidmaster PRO-
SY080

Filling Valve
K&E FV120

Bowl: NCX2127W-P

Tank: NCY2127XW

Two-Piece Toilet

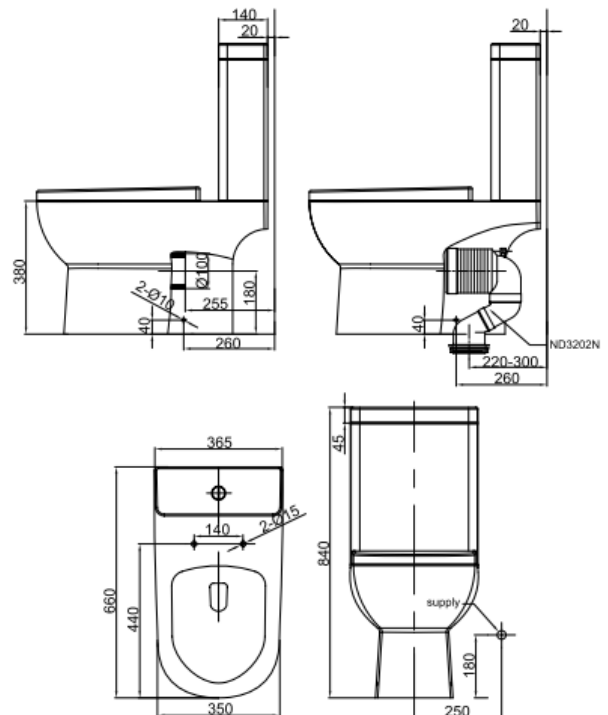
660x365x840mm

Dual Flush: 3/4.5L

Flush System: Wash Down

Rough-In: 180mm (P-Trap)

Seat & Cover: PP Soft Closing





水務署

Water Supplies Department

香港灣仔告士打道七號入境事務大樓
Immigration Tower, 7 Gloucester Road, Hong Kong

電子郵件
e-mail wsdinfo@wsd.gov.hk

電話
Telephone 2829 4367

圖文傳真
Facsimile 2824 0578

權號
Reference (2) in WSD 3321/16 Pt.1 T/J(716)

16 May 2016

Approval of "FLUIDMASTER" Dual Flush Valve

Your letter ref. D74/2016/0001 dated 28 April 2016 refers.

It is noted that the fitting described below has been accepted by the United Kingdom Water Regulations Advisory Scheme (WRAS) to have complied with the requirements of the United Kingdom Water Supply (Water Fittings) Regulations / Scottish Water Byelaws when correctly installed.

Name of Manufacturer: Opella Ltd

Country of Origin: UK

Brand: Fluidmaster

Details of Fitting: WC dual flush valves incorporating a polypropylene body, with an EPDM seal. The valves are operated via a stainless steel 'C' link for either full or reduced flush and incorporate an internal overflow. Cold water use only.

Model: PROSY080

Size: 1½" outlet

Marking: Height (95, 90, 85, 80, 75) on body below cap,
Fluidmaster on cap, product information on tube.

WRAS Approval Number: 1309069

Installation Requirements: R001

Expiry Date: 30 September 2018

In view of the acceptance by WRAS, this Authority has no objection to the use of the said fitting in flushing water supply plumbing systems subject to full adherence to Waterworks installation requirements. In particular, you are required to draw your customers' attention to the following requirements –

“Installation shall comply with the ‘Installation Requirements & Notes’ of the WRAS’s approval letter concerned.”

“The flushing volume of the flushing valve should be adjusted to suit the design of the toilet bowl so that wastes can be cleared effectively by a single flush.”

“The maximum flushing cistern volume including that of dual flush cisterns for use in conjunction with the fittings shall not exceed 7.5 litres per flush.”

“The fitting should be used within the range of working pressures specified by the manufacturer.” AND

“The installed fitting should not result in backflow of water that will contaminate the flushing water supply.”

A condition of this acceptance is that the fitting to be installed should be replicas of the sample certified by WRAS and no modification should be made to the fitting. This acceptance may be withdrawn at any time if the standard of the fitting installed fails to meet that of the approved sample or if the fitting is found to be unsuitable for use in flushing water supply plumbing systems.

For the use of the fitting in any project, the Acceptance Reference Number at the bottom of this letter must be quoted as a means of identification of acceptance of the fitting by this Authority.

Should you have any enquiries, please contact our Engineer Mr Terry KUNG at tel. no. 2294 2656.

Yours faithfully,



(LAM Ching Man)
for Water Authority

c.c. WSD 3321/1/82] - without catalogue
 ME/CS(MC)] - with soft copy only



水務署

Water Supplies Department

香港灣仔告士打道七號入境事務大樓
Immigration Tower, 7 Gloucester Road, Hong Kong

電子郵遞
e-mail wsdinfo@wsd.gov.hk

電話
Telephone 2829 4355

圖文傳真
Facsimile 2824 0578

檔號
Reference (2) in WSD 3321/17 Pt.1 T/J(1085)

11 September 2017

K&E Technology Limited
Room A, 6/F, Sunrise Industrial Building,
10 Hong Man Street, Chai Wan,
Hong Kong

(Attn.: Mr Sunny CHUNG)

Dear Sir,

Approval of "K&E TECHNOLOGY" Float Operated Valve.

Your letter dated 8 August 2017 refers.

Having considered the test report ref. J21337 issued on 21 April 2017 by Nutek Systems (HK) Ltd., this Authority accepts that the fitting described below complies with, and its use when correctly installed does not contravene, the Waterworks Ordinance and Regulations.

Name of Manufacturer: Xiamen Bestter Plumbing Co Ltd
Country of Origin: China
Brand: K&E Technology
Details of Fitting: 1/2" Plastic bottom inlet float operated valve
Model: FV120
Body Markings: K&E Technology
Expiry Date: 18 April 2022

Proviso: As the fitting has not been tested for use in contact with water intended for human consumption, the fitting can only be used in flushing water plumbing system.

This Authority hereby permits the use of the above fitting in flushing water plumbing systems subject to full adherence to Waterworks installation requirements. In particular, you are required to draw your customers' attention to the following requirement-

"The flushing volume of the flushing valve should be adjusted to suit the design of the toilet bowl so that wastes can be cleared effectively by a single flush."

"The maximum flushing cistern volume including that of dual flush cisterns for use in conjunction with the fittings shall not exceed 7.5 litres per flush."

"The fitting should be used within the range of working pressures specified by the manufacturer." AND

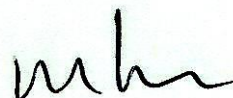
"The installed fitting should not result in backflow of water that will contaminate the flushing water supply."

A condition of this acceptance is that the fitting to be installed shall be replicas of the sample as certified by the testing agent mentioned above and without modifications. This acceptance may be withdrawn at any time if the standard of the fitting installed fails to meet that of the approved sample or if the fitting is found to be unsuitable for use in flushing water plumbing systems.

For the use of the fitting in any project, the Acceptance Reference Number at the bottom of this letter must be quoted as a means of identification of acceptance of the fitting by this Authority.

Should you have any enquiries, please contact our Engineer Mr Terry KUNG at tel. no. 2294 2656.

Yours faithfully,



(CHAN Chung Kun)
for Water Authority

c.c. WSD 3321/1/82] - without catalogue
ME/MC] - with soft copy only